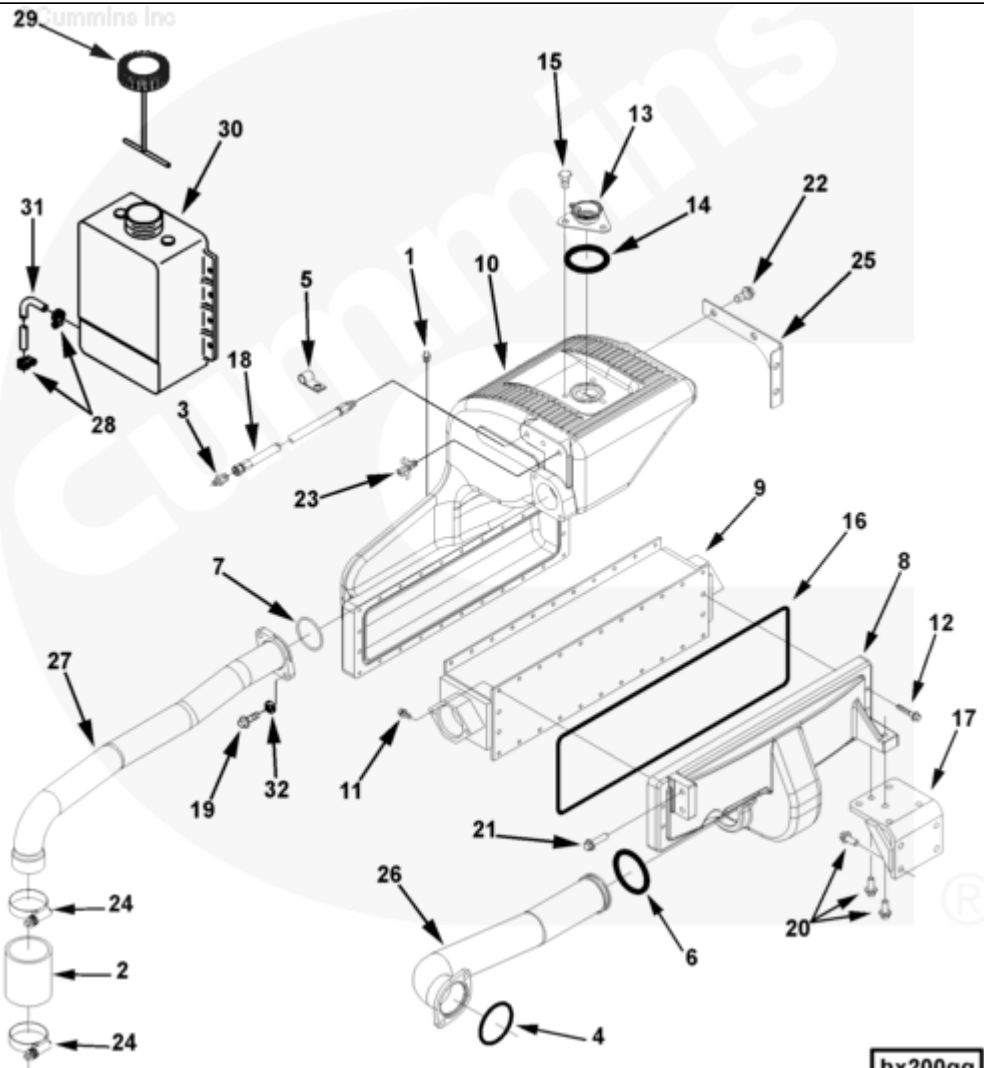




Parts Catalog - Option Detail

Electronic Parts Catalog - Option Detail				
Option	Group	Graphic	Film Card	Date
HX2061-07	08.10	hx200gg	II	28-AUG-04
Engines	ISM CM570, ISM CM570/870, ISM CM875, ISM CM876, ISM CM876 E, ISM11 CM876 M103, ISM11 CM876 SN, M11 CELECT, M11 CELECT PLUS, M11 MECHANICAL, QSM11 CM570, QSM11 CM876			



SMALL | MEDIUM | LARGE

Cart	Ref No	Part Number	Part Description	Required	Remarks
View My Cart					
		HX2061-07	Heat Exchanger		
					Heat Exchanger

					Heat Exchanger Mtg Loc: Right
					Side of Engine
					Expansion Tank Fill Loc:
					Right Rear
					Exhaust Manifold Type: Dry
					Sea Wtr Pump Flow Rate:
					378.541 1PM (100 GPM)
					Sea Water Pump Outlet OD:
					50.8mm (2")
<input type="checkbox"/>	1	S 949	Plain Pipe Coupling	1	
<input type="checkbox"/>	2	67185	Plain Hose	1	
<input type="checkbox"/>	3	68138	Male Connector	1	
<input type="checkbox"/>	4	100716	O-Ring Seal	1	
<input type="checkbox"/>	5	108722	Clip	1	
<input type="checkbox"/>	6	122981	O-Ring Seal	1	
<input type="checkbox"/>	7	145582	O-Ring Seal	1	
<input type="checkbox"/>		3349371	Heat Exchanger	1	
<input type="checkbox"/>	8	3349499	Heat Exchanger Housing	1	
<input type="checkbox"/>	9	3349498	Heat Exchanger Core	1	
<input type="checkbox"/>	10	3349500	Heat Exchanger Housing	1	
<input type="checkbox"/>	11	3901865	Hexagon Flange Head Cap Screw	44	M6 X 1.00 X 20.
<input type="checkbox"/>	12	3349510	Hexagon Flange Head Cap Screw	8	M6 x 1.00 x 35
<input type="checkbox"/>	13	3393131	Fill Connection	1	
<input type="checkbox"/>	14	3606661	O-Ring Seal	1	
<input type="checkbox"/>	15	3909582	Hexagon Head Cap Screw	3	M10 x 1.50 x 16
<input type="checkbox"/>	16	4019275	O-Ring Seal	2	
<input type="checkbox"/>	17	3349373	Heat Exchanger Bracket	1	
<input type="checkbox"/>	18	3349505	Flexible Hose	1	
<input type="checkbox"/>	19	3900631	Hexagon Flange Head Cap Screw	2	M8 X 1.25 X 25.

<input type="checkbox"/>	20	3902460	Hexagon Flange Head Cap Screw	6	M10 X 1.50 X 25.
<input type="checkbox"/>	21	3903464	Hexagon Flange Head Cap Screw	2	M10 X 1.50 X 40.
<input type="checkbox"/>	22	3903990	Hexagon Flange Head Cap Screw	4	M10 X 1.50 X 20.
<input type="checkbox"/>	23	3909394	Draincock	1	
<input type="checkbox"/>	24	3922849	Hose Clamp	2	
<input type="checkbox"/>	25	4003560	Expansion Tank Bracket	1	
<input type="checkbox"/>	26	4019903	Water Inlet Tube	1	
<input type="checkbox"/>	27	4003598	Water Outlet Tube	1	
<input type="checkbox"/>	28	3910509	Hose Clamp	2	1/4 - 7/8 inch
<input type="checkbox"/>		3922500	Coolant Recovery Reservoir	1	
<input type="checkbox"/>	29	3921339	Expansion Tank Cap	1	
	30	3921480	Coolant Recovery Reservoir	1	
<input type="checkbox"/>	31	3924493	Plain Hose	1	
<input type="checkbox"/>	32	S 622	Plain Washer	2	3/8 in.